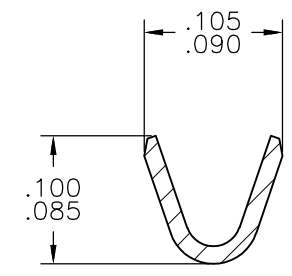
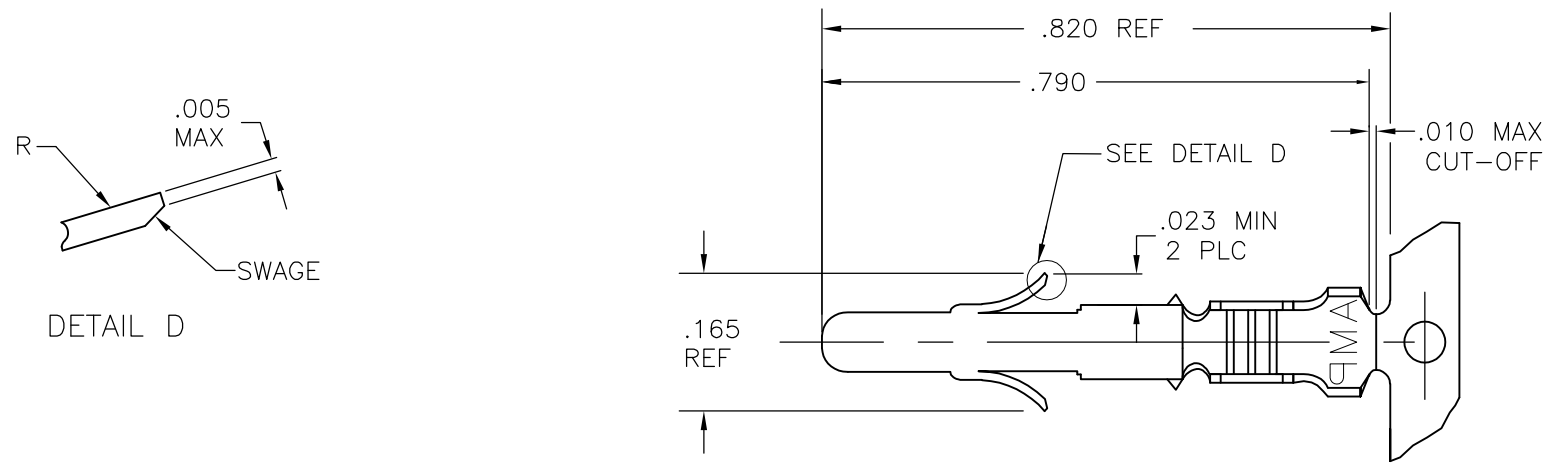
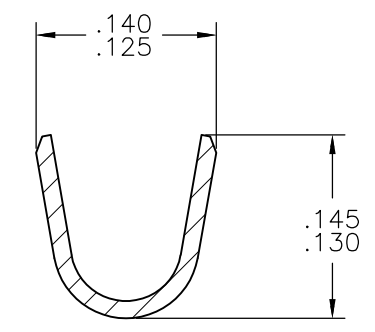
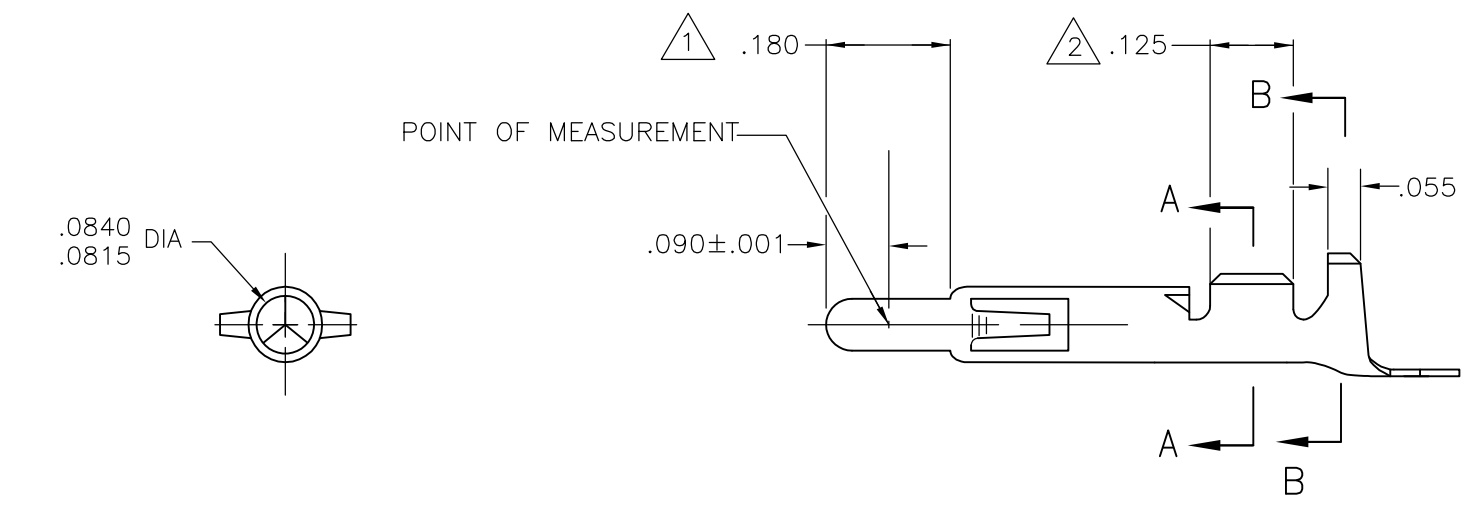


THIS DRAWING IS UNPUBLISHED. RELEASED FOR PUBLICATION
 © COPYRIGHT - By - ALL RIGHTS RESERVED.

LOC		DIST		REVISIONS			
P	LTR	DESCRIPTION		DATE	DWN	APVD	
	Z	REVISED PER ECR-12-013323		10AUG2012	KH	TM	
	Z1	REVISED PER ECR-14-008840		08JUL2014	AV	KD	



SECTION A-A



SECTION B-B

- 1 PLATED WITH .000030 GOLD, OVER .000050 NICKEL UNDERPLATE.
- 2 PLATED INTERNALLY WITH .000030 GOLD.
- 3 WIRE RANGE: 24-18 AWG AND INSULATION RANGE: .040-.100 DIA.

LOOSE PIECE (REF)	FINISH	MATERIAL	PART NUMBER
350690-7	GOLD 1	.012 BRASS	350561-7
350690-3	PRE-TIN	.012 PH. BRZ.	350561-3
350690-2	GOLD 1 2	.012 BRASS	350561-2
350690-1	PRE-TIN		350561-1

THIS DRAWING IS A CONTROLLED DOCUMENT.

DWN	M.FEHER	05JUN81
CHK	DSH	09JUN81
APVD	RPL	10JUN81
PRODUCT SPEC	108-1031	
APPLICATION SPEC	114-1010	
WEIGHT	-	
CUSTOMER DRAWING		

STE TE Connectivity

PIN, UNIVERSAL MATE-N-LOK

SIZE	A2	CAGE CODE	00779	DRAWING NO	C=350561	RESTRICTED TO	-
SCALE	4:1	SHEET	1 of 1	REV	Z1		